

AdvanStation™

RFID tag encoding station



Benefits:

- Easy, fast and effective encoding
- Stand alone: encodes anywhere
- Plug and play
- Compatible with hard tags and paper tags
- Reduction of errors in tag encoding
- Password protection

Applications:

- Retail stores
- Distribution centers
- Libraries
- Hospitals
- Warehouses
- Factories
- Other spaces

Product overview

AdvanStation is an **encoding station** for paper and hard RFID UHF tags.

AdvanStation **easily and quickly** encodes hundreds or thousands of RFID tags at retail stores, offices, distribution centers, warehouses, or other spaces.

AdvanStation includes:

- Internal RFID reader with embedded computer
- RFID antenna
- Barcode scanner
- Magnet for facilitating the placement of RFID hard tags
- Visual indicators
- Frame and casing
- Software drivers

The use process is as follows:

1. The user places an RFID tagged item over AdvanStation so that the RFID tag is over or near the magnet .
2. The label with the barcode printed on it is approached to the barcode scanner.
3. The barcode scanner reads the barcode.
4. The EPC code of the RFID tag is automatically encoded.



Product features

AdvanStation works **stand alone**. It does not require any connection to an external computer or to Internet, nor any installation. It only needs to be powered, and it starts encoding.

AdvanStation uses the **SGTIN standard** of GS1 for generating the EPC code of the encoded RFID tags.

AdvanStation can encode the RFID tags with **password protection**. In this way, the tags can not be rewritten without the password, which increases the security of the overall application.

AdvanStation™

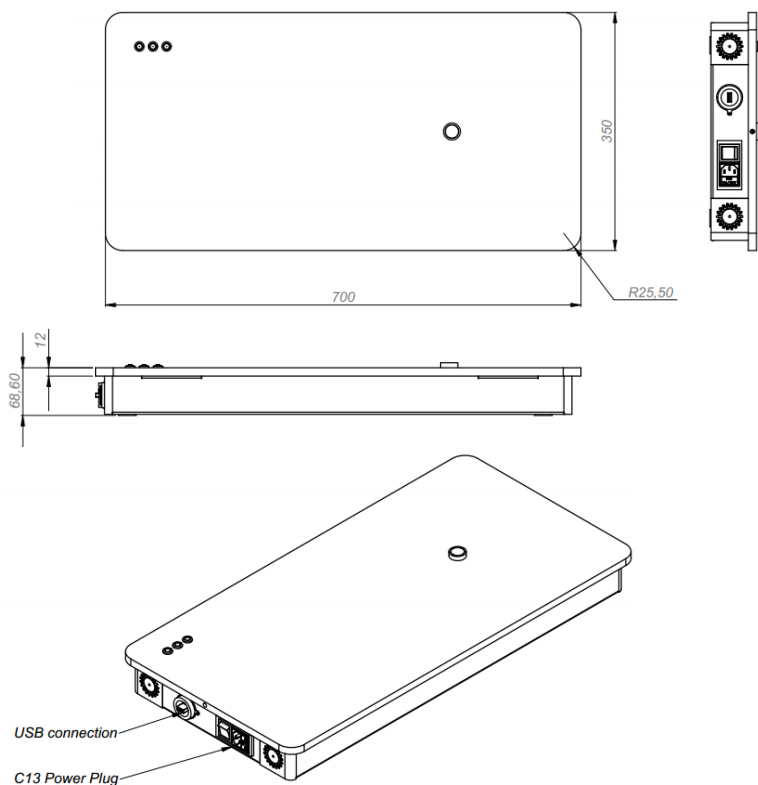
RFID tag encoding station



Specifications

Air Protocol Interface	EPC global UHF Class 1 Gen 2 / ISO 18000-6C
Supported regions	FCC (NA, SA) 902 MHz - 928 MHz ETSI (EU, IN) 865.6 MHz - 867.6 MHz MIC (KR) 910 MHz - 914 MHz SRRC-MII (P.R.China) 920 MHz - 925 MHz Brazil: 902-907,5 MHz and 915-928 MHz (as sub-band of FCC) ACMA (AU, NZ) 920 MHz – 926 MHz Open region
Encoding standard	SGTIN
Writing time	1 tag every 3 seconds (includes barcode scanning time)
Security	RFID tag encoding with password
Connectors and switches	On-off switch USB Standard A female connector for connecting the barcode scanner Power supply C13 female connector
Visual indicators	Green LED Orange LED Red LED (See user guide for colour codes)
Power supply	120 - 230 V AC
Power consumption	Idle consumption < 3 W Max consumption (@30 dBm) < 10 W
Temperature	-10 °C to +55 °C
Size	350 mm x 700 mm x 68.6 mm (13.8 in x 27.6 in x 2.7 in)
Weight	5000 g (176.4 oz) (includes barcode scanner -weight may change across hardware revisions-)

Mechanical specifications



Keonn Technologies S.L.
Pere IV, 78-84, planta 6, 3a
08005 Barcelona, Spain

Tel: +34 931 814 477
info@keonn.com
www.keonn.com